

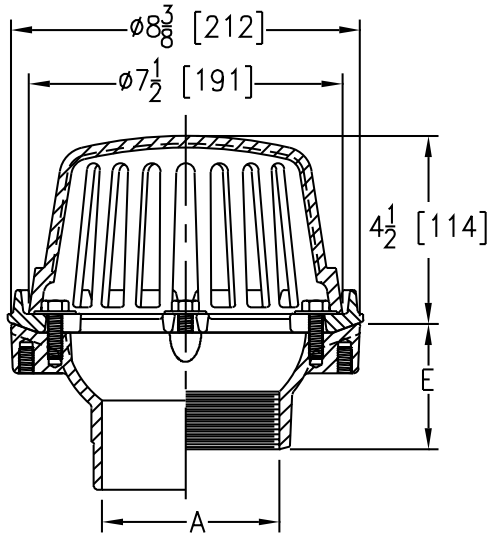
Z125 8-3/8" DIAMETER ROOF DRAIN LOW SILHOUETTE DOME



ENGINEERING SPECIFICATION

Zurn Z125 8-3/8" diameter roof drain features Dura-Coated cast iron body with combination flashing clamp/gravel guard and low silhouette polydome.

A Pipe Size inches [mm]	Dome Open Area sq in [cm ²]	Approximate Weight lb [kg]
2 [51], 3 [76], 4 [102]	43 [277]	14 [6]



PREFIXES	DESCRIPTION	PIPE SIZE	LIST PRICE
Z125*	D.C.C.I. Body with 4-1/4" Poly Dome	2", 3", 4"	531.00
ZA125	D.C.C.I. Body with 4-1/4" Aluminum Dome	2", 3", 4"	704.00
ZC125	D.C.C.I. Body with Low Silhouette Cast Iron Dome	2", 3", 4"	626.00

OUTLETS (SPECIFY PIPE SIZE IN INCHES AND TYPE OF OUTLET)				
OUTLET TYPE		OUTLET DESIGNATION (PIPE SIZE/OUTLET TYPE)	E BODY HT. DIM.	ADD
IC	Inside Caulk	2IC, 3IC, 4IC	3-7/8"	N/C
IP	Threaded	2IP	2-7/16"	80.00
		3IP	2-3/4"	80.00
		4IP	3"	80.00
NH	No-Hub	2NH, 3NH, 4NH	4"	N/C
NL	Neo-Loc (not recommended for roof drains)	2NL, 3NL, 4NL	3-13/16"	N/C

SUFFIXES		ADD	
-AR	Acid Resistant Epoxy Coated Finish	764.00	
-C	Underdeck Clamp	150.00	
⊖ -DP	Top-Set® Roof Deck Plate (Replaces -C and -R)	339.00	
-E	Static Extension 1" thru 4"	D.C.C.I.	344.00
		Galv.	654.00
	For Each Additional 1" above 4" - Per Inch (Specify Height)	D.C.C.I.	173.00
		Galv.	326.00
⊖ -EB	Top-Set Adjustable Extension Assembly	503.00	
-FG	Flush Grate (Replaces Dome Strainer)	251.00	
-G	Galvanized Cast Iron	200.00	
-R	Roof Sump Receiver	257.00	
-SC	Secondary Clamping Collar	194.00	
-SS	Stainless Steel Mesh Screen Over Dome	351.00	
⊖ -TC	Neo-Loc Test Cap Gasket (2", 3", 4" NL Bottom Outlet Only)	24.00	
-VP	Vandal-Proof Secured Top	116.00	
-XJ	Vertical Expansion Joint (See Z190) (Use with IP Outlets Only)	-	
-84	Stainless Steel Perforated Gravel Guard 1" thru 4"		462.00
		For Each Additional 1" above 4" - Per Inch (Specify Height)	72.00
-85	Stainless Steel Perforated Extension 1" thru 4"		462.00
		For Each Additional 1" above 4" - Per Inch (Specify Height)	72.00
-89	2" High External Water Dam	194.00	
-90	90° Threaded Side Outlet Body (2", 3", 4")	184.00	

BEST SELLERS	LIST PRICE
Z125-2NH	531.00
Z125-2NH-DP	870.00
Z125-3IP-90	795.00
Z125-3NH	531.00
Z125-3NH-89	725.00
Z125-3NH-89-DP	1,064.00
Z125-3NH-C	681.00
Z125-3NH-C-E2-FG	1,276.00
Z125-3NH-DP	870.00
ZC125-3NH	626.00
ZC125-3NH-DP	965.00
Z125-3NL	531.00
Z125-3NL-89	725.00
Z125-3NL-89-R	982.00
Z125-3NL-R	788.00
Z125-4NH	531.00
Z125-4NH-89	725.00
Z125-4NH-DP	870.00
ZC125-4NH	626.00

Supplied By:



877-903-7246

www.commercialplumbingsupply.com

For additional product information, please visit www.zurn.com.

*Regularly furnished unless otherwise specified.

Items designated as Best Sellers are most specified and are generally in stock for shipment.

⊖ This symbol denotes a product that is engineered to reduce installation and rework time.